



BLUNDELL

PRODUCTION EQUIPMENT

CMS 400 DF

DUAL WAVE SOLDERING MACHINE





BLUNDELL

PRODUCTION EQUIPMENT

CMS 400 DF

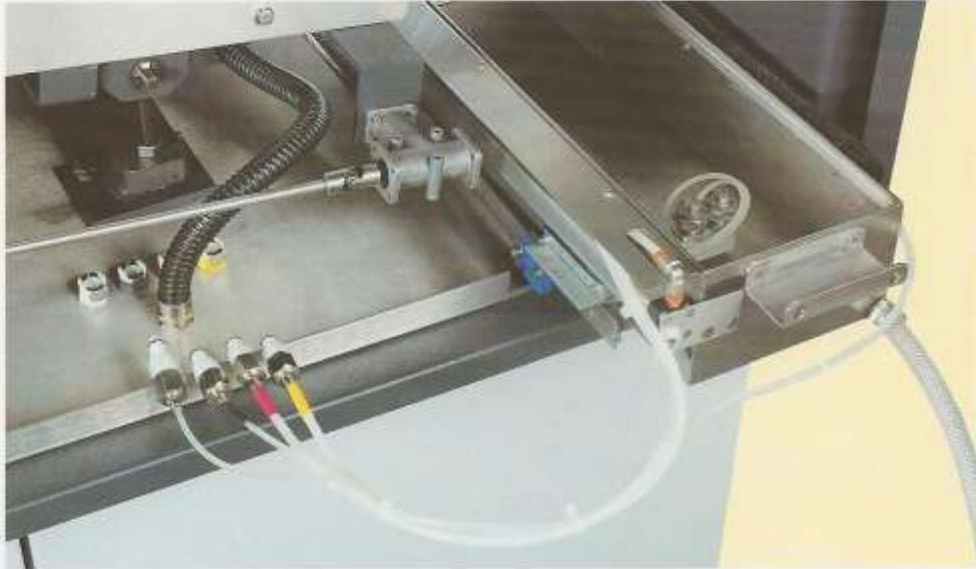
NEW LEAD FREE SERIES

The best selling Blundell CMS 400 is now available with all the facilities required for Lead Free Soldering, including specially coated solder bath, solder nozzles baffles and impeller.

SPRAY FLUXER

The Blundell CMS 400DF fitted with the proven Blundell "Target" spray fluxer as standard. Reciprocating nozzle or static nozzle options are available with automatic PCB width, length and speed sensing.

In addition, or as an alternative, the machine can be supplied with a foam fluxer linked to an automatic flux density controller.



Spray fluxer tank slides out for cleaning ▶

SOLDER BATH

The Blundell solder bath is formed as a single iron casting lined internally with a tough vitreous enamel coating. This effectively seals the bath for life, preventing any possibility of solder leakage. The solder heaters are on the outside of the bath, and the entire solder bath rolls out at the back of the machine for servicing.

Dual solder waves with excellent drainage characteristics provide ideal conditions for defect free through hole, mixed technology and surface mount soldering.

▼ Jet wave and laminar wave dual solder bath
The roll-out pot makes servicing much easier ▼

LEAD FREE PREHEATING

A powerful 3 zone preheater has been developed for lead free solder and VOC free fluxes. Zone 1, is a powerful hot air blower to dry out the flux carrier (water or solvent), Zone 2 features a temperature adjustable long-wave IR steel hotplate, finally Zone 3 has 6 infinitely adjustable Quartz IR tubes to boost heat prior to solder contact. A two-layer mirror stainless steel covered preheat chamber gives efficient heat spread and maximum energy conservation.

the preheat chamber.

Preheater has added hot air convection ▶



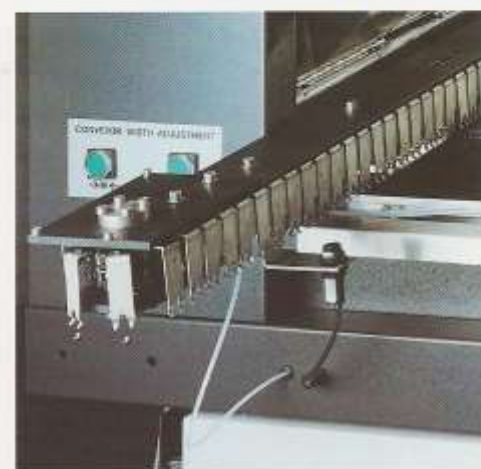


ARGON DROSS REDUCTION SYSTEM

Blundells, unique "Argon Inert Gas Injection" system injects very small quantities of Argon gas around the sealed solder pump shafts to eliminate dross in this usually turbulent area. The result is a

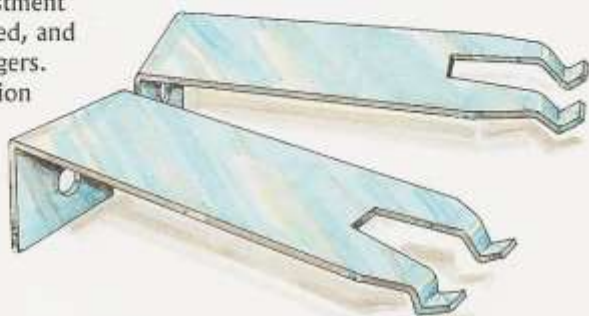
significant overall reduction in dross formation, a much cleaner solder wave, with fewer major service intervals. The gas cost is minimal.

◀ A small quantity of Argon inert gas is injected into the pump housing to inhibit dross in this turbulent area



CONVEYOR

The CMS 400DF has a direct feed finger conveyor with motorised width adjustment which can be programmable if required, and heavy duty 1.5mm thick titanium fingers. An on-board conveyor chain lubrication system is provided as standard.



◀ Rugged positive drive finger conveyor



CONTROLS

The highly acclaimed Blundell CMS control panel features individual bright, clear displays for each parameter, and the tactile membrane keys are extremely easy to use. Adjustments are made in seconds, and up to 99 programs can be stored in the machine's own microprocessor.

PC OPTION

An industry standard PC and printer can be connected with Windows based software to access expanded facilities, data logging and statistical process control.

◀ Highly acclaimed, clearly laid out control panel



BLUNDELL

PRODUCTION EQUIPMENT

MAINTENANCE & SERVICING

A large safety glass window provides excellent visibility. Access could not be easier via the fully opening hood, and removable panels all around the machine.

STANDARD FEATURES

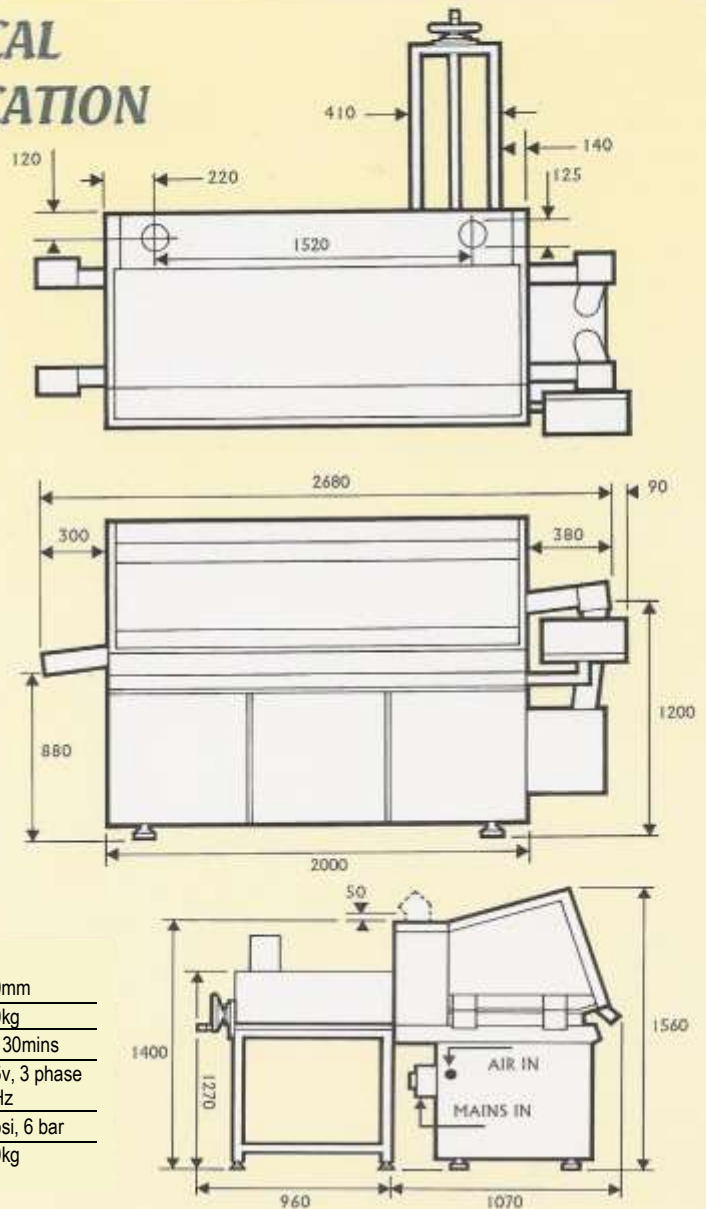
- Dual Wave Roll-out Solder Pot
- Spray Fluxer
- 99 Program Memory Store
- Full 400mm Soldering Width
- Finger Conveyor With Programmable Powered Width Adjustment
- High Powered Temperature Graduated Preheater
- Built-in Conveyor Chain Lubrication System
- Double Skinned Preheat Cover
- Topside Preheat Reflector
- Intermittent Fluxer & Wave Operation
- 7 Day On-off Timer
- Argon Dross Reduction System
- 10 Year Solder Pot Warranty
- Infrequent Service Intervals

OPTIONS

- PC Link & Data Logging Software
- Finger Cleaner
- Foam Fluxer
- Single wave
- Pallet conveyor



TECHNICAL SPECIFICATION



Maximum Solder width	400mm
Solder bath capacity	300kg
Solder heat-up time	2hr 30mins
Power supply	415v, 3 phase 50Hz
Compressed air	80psi, 6 bar
Weight without solder	650kg

EXTRACTION Total requirement: 400 cfm. from 2 ports as shown



BLUNDELL

PRODUCTION EQUIPMENT

Blundell Production Equipment Ltd
Unit C-D Quinn Close
Seven Stars Industrial Estate
Coventry CV3 4LH

Phone – 02476 210270
E-mail – sales@blundell.co.uk